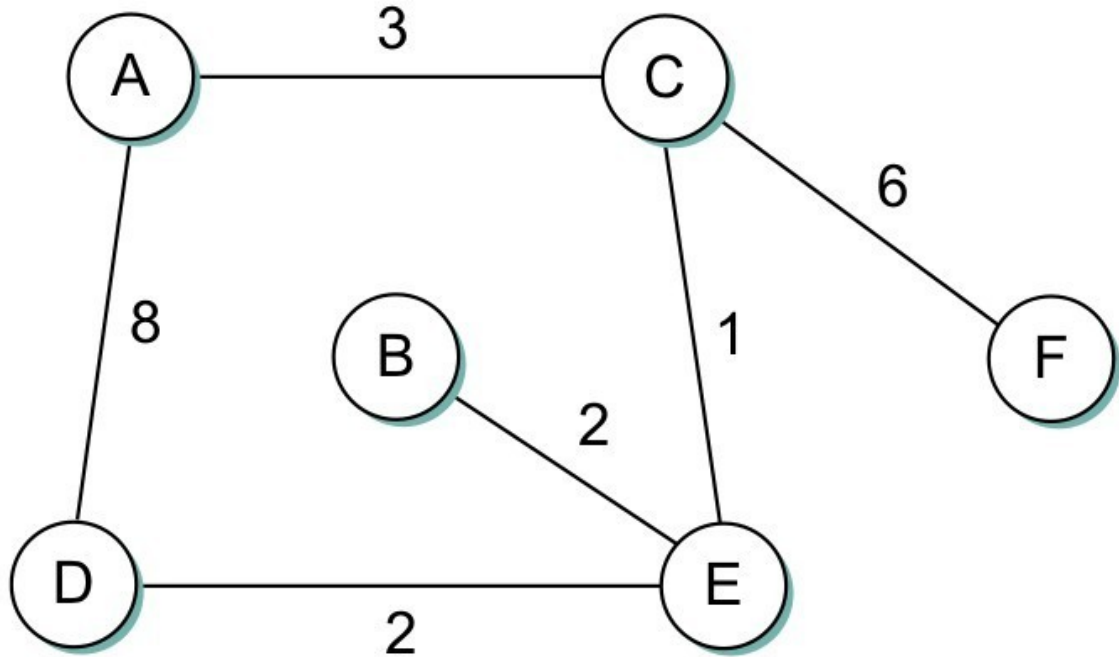


CSC4200 – Homework 2 (Each question is worth 10 points)
Due – Sunday 28th, 10PM CST



1. For the figure above, show the Distance Vector (DV) table.
2. If we were using Link State Routing (LS), what would the tables look like at each of nodes?
3. How does DHCP work? Outline the different steps and interactions between the client and the DHCP server?
4. What is an Autonomous System (AS)?
5. What is Interdomain routing? What's the protocol we use for Interdomain routing?
6. What's the goal of BGP?

7. How does a path vector protocol work? Can it have a loop? Why or why not?
8. How does BGP policies work? What are the primary attributed of BGP?
9. Looking at the picture below how does AS2 force all the traffic to go over the LINK A-B?
- 10/ How does AS2 send $\frac{1}{4}^{\text{th}}$ of the traffic to go over C-D and $\frac{3}{4}^{\text{th}}$ to go over A-B?

